

Issued on Jul. 20, 2004

Sales & Marketing Group

-Electronic Components & Devices

Model GP1FAV50TK0F

Cost competitive, Popular type Optical Fiber Transmitter

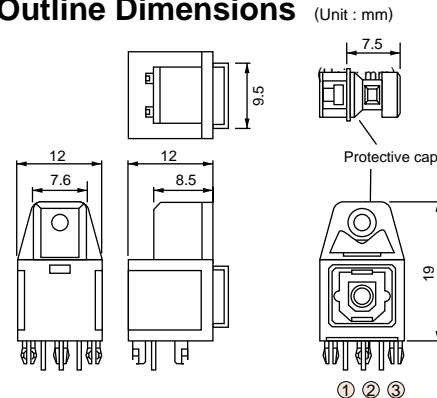
Features

- Enables Double-speed transmission of digital audio signal from DVD players/AV amplifiers. (Transmission rate: MAX. 13.2 Mb/s)
- Popular type
- Lead-free package
- The inner packing case can be selected.(Tray or tube)

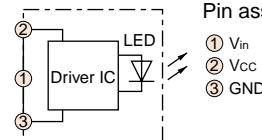
Specifications

Parameter	Symbol	Characteristics
Operating voltage	Vcc	4.75 to 5.25 V
Dissipation current	Icc	MAX. 13 mA
Peak emission wavelength	p	TYP. 660 nm
Optical power output in fiber connecting	Pc	MIN. -21 dBm
Transmission rate	T	MAX. 13.2 Mb/s
Jitter	tj	TYP. 1 ns
Operating temperature	Topr	-20 to +70 °C

Outline Dimensions



Internal Connection Diagram

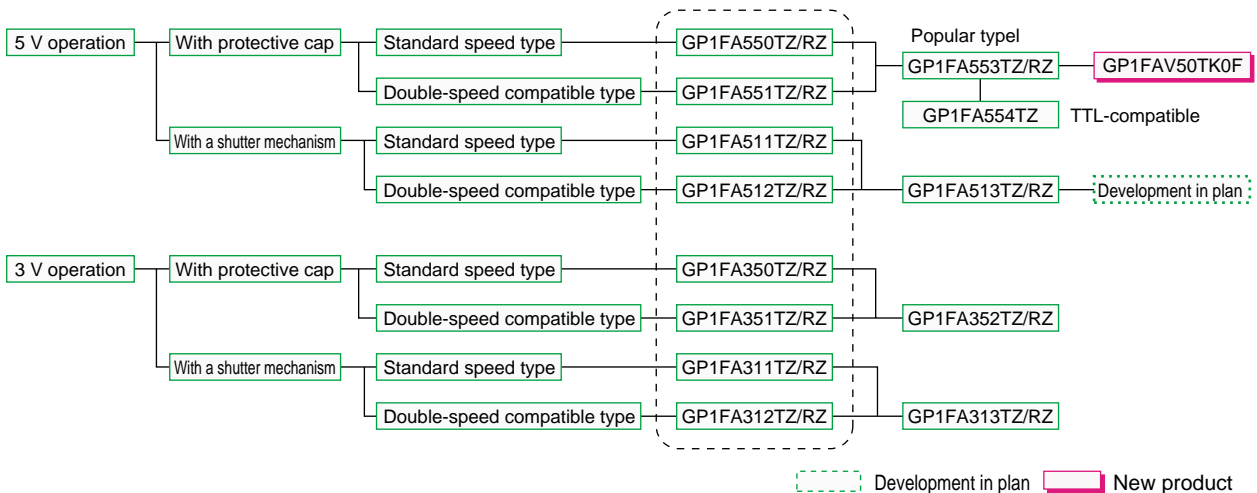


Pin assignment

- ① Vin
- ② Vcc
- ③ GND

Although the outline dimensions, the fixing foot and the pin assignment are same as those of the GP1FA554TZ, the wall thickness is different.

Line-up



Notice:

- In the absence of confirmation by device specification sheets, SHARP takes no responsibility for any defects that may occur in equipment using any SHARP devices shown in catalogs, data books, etc. Contact SHARP in order to obtain the latest device specification sheets before using any SHARP devices.
- Specifications, model names and availabilities are subject to change without notice for improvement.